



"Global Pool Products is committed to engineering and manufacturing world class products in the pool industry"

# Swim Up High-Top Bar

## ASSEMBLY & INSTALLATION GUIDE



[www.global-poolproducts.com](http://www.global-poolproducts.com)



“Global Pool Products is committed to engineering and manufacturing world class products in the pool industry”

## TABLE OF CONTENTS

Introduction	PAGE 3
Safety Guidelines	PAGE 4
Cleaning Instructions	PAGE 4
Assembly Instructions	PAGE 5
Parts List	PAGE 6
Installation Instructions (Retrofit Construction)	PAGE 7
Installation Instructions (Existing Anchors or New Construction)	PAGE 8
Warranty	PAGE 9

Global Pool Products  
684 N. Port Crescent, Suite C  
Bad Axe, MI 48413  
P: 989-269-5900 - TF: 866-712-0606  
Fax: 989-269-5902  
[www.global-poolproducts.com](http://www.global-poolproducts.com)

Information contained in this document is proprietary and confidential to Global Pool Products and not to be reproduced without written consent from Global Pool Products.



“Global Pool Products is committed to engineering and manufacturing world class products in the pool industry”

## INTRODUCTION

Global Pool Products is a Mid-Michigan based company. Global Pool Products prides itself in manufacturing top of the line quality aquatic pool equipment and products. Global Pool Product’s key staff has a century of combined industry experience and we take pride in each and every product that we build. Our products are made in the United States. Global Pool Products uses only the finest materials and processes to provide our customers with the highest quality products while still maintaining a price competitive edge.

The Swim Up High-Top Bar is designed for in ground residential swimming pools ONLY. The swim up bar must be properly assembled, installed, used, and supervised for proper use and operation to reduce the risk of serious injury.

Please refer to your local building codes and national building codes to be implemented prior to installation. When utilizing an existing anchor, please ensure you are following local and state entry/exit requirements.

Before starting assembly, remove all packaging and materials from the boxes. Double check to make sure that nothing is left inside the boxes. Identify the parts and hardware utilizing the parts list in this document. Examine all parts thoroughly prior to installation to avoid anything that may have been damaged in transit. A damaged part should not be used in the installation. Proper assembly and installation of the swim up bar is imperative. Not following the directions provided will void Global Pool Products Warranty and may affect the safety of the product users.

**⚠️ NEGLECTING TO FOLLOW THESE INSTRUCTIONS AND THE OWNER’S MANUAL MAY RESULT IN SERIOUS INJURY OR DEATH ⚠️**



"Global Pool Products is committed to engineering and manufacturing world class products in the pool industry"

## **SAFETY GUIDELINES**

**The Swim Up High-Top Bar is designed for in ground residential swimming pools ONLY. The Swim Up Bar must be properly assembled, installed, used, and supervised for proper use and operation to reduce the risk of serious injury.**

- No jumping or diving from any part of the swim up bar structure, seats, or table top.
- No horseplay or shenanigans should be allowed while playing.
- DO NOT USE THE SWIM UP BAR if it is deteriorated or fractured. Block access and have it repaired.

## **CLEANING INSTRUCTIONS**

Use nonabrasive soap and water as often as needed.

Keep clear of any abrasive or harsh cleaners, chemicals and/or disinfectants that could damage the swim up bar.



"Global Pool Products is committed to engineering and manufacturing world class products in the pool industry"

## Swim Up High-Top Table Assembly Instructions

### Tools Needed:

5/8" Wrench      Phillips Head Screwdriver or Power Drill      1/2" Wrench      Crescent wrench

### Included Hardware:

(8) - 3/8" Acorn Nuts	(2) - 3/8" Carriage Bolt – 3 1/2"	(3) - 3/8" Carriage Bolt – 4 1/2"
(12) - 1/4" Thread Forming Screw – 3/4"	(3) - 3/8"x 2 3/4" Hex Cap Screw	(2) - Stabilizer Feet Pads
(2) - 5/16" Bolt – 2 1/4"	(2) - 5/16" Nut	(2) - 5/16" Flat Washer
(2) - Nylon Threaded Tube End	(2) - 3/8" Lock Washer	(2) - 3/8" x 1/8" Flat Washer

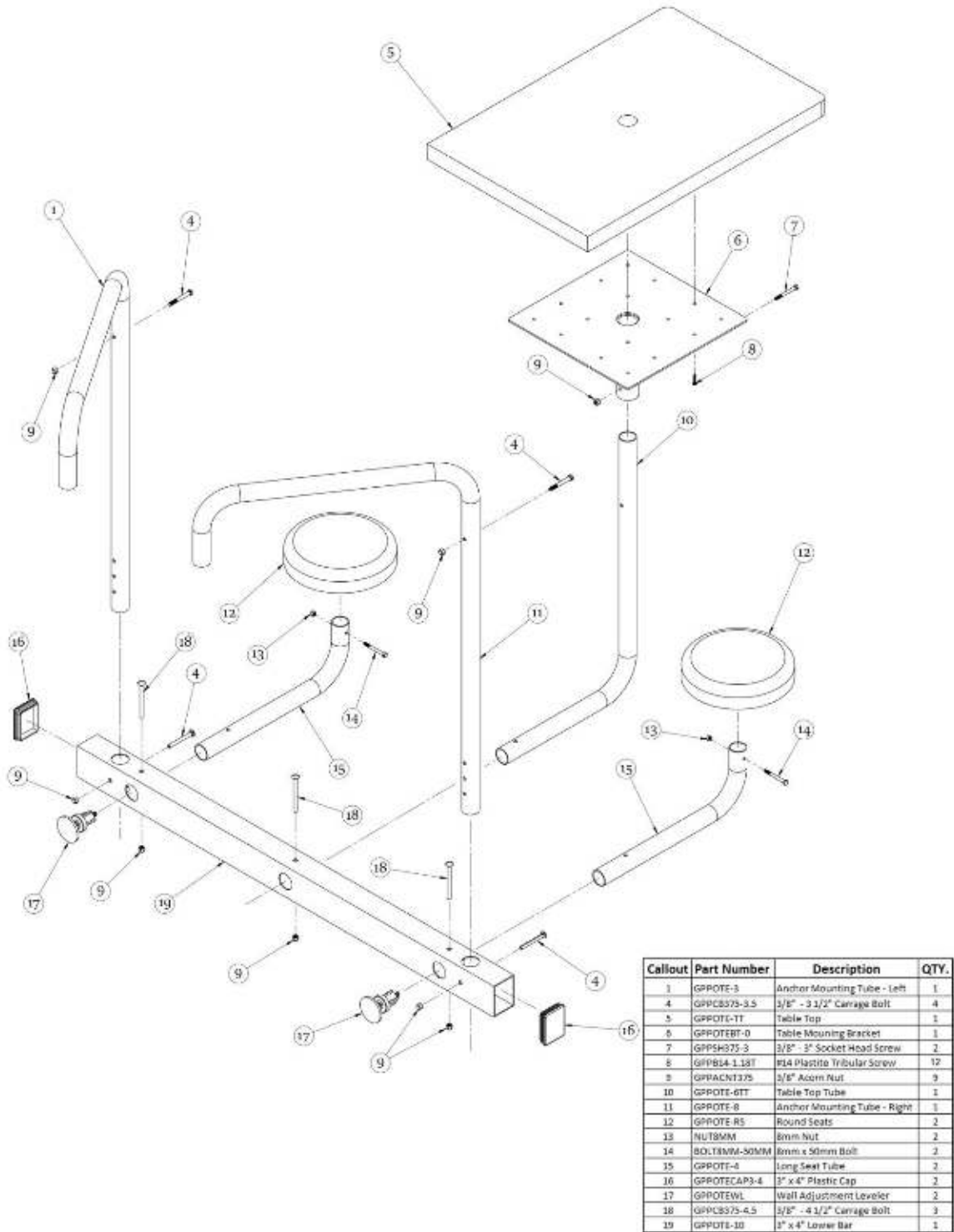
### Assembly

1. Attach Table Top to table top mounting bracket with twelve 1/4" x 3/4" thread forming screws.
2. Slide the mounting rails through the 2" holes located on lower seat mounting manifold. (The lower seat manifold top is indicated by side without the 1/4" drain holes)
3. Slide the lower seat manifold to desired height and attach with two 3/8" x 3 1/2" carriage bolts and two 3/8" acorn nuts.
4. Insert the two seat tubes through the outer holes on the seat manifold bar and attach them with two 3/8" x 4 1/2" carriage bolts and two 3/8" acorn nuts.
5. Insert the table top tube into the center hole of the seat manifold bar and attach with one 3/8" x 4 1/2" carriage bolt and one 3/8" acorn nut.
6. Slide table top mounting bracket onto the table tube and attach with one 3/8" x 2 3/4" bolt and one acorn nut.
7. Attach table top to the mounting rails with two 3/8" x 2 3/4" bolts, securing them with a lock washer, flat washer and acorn nut.
8. Attach the Seats to the seat tubes with two 5/16" x 2 1/4" bolts, two 5/16" flat washers and two 5/16" nuts.
9. Insert the two threaded tube end into the outer two seat tubes and screw in the two \*stabilizer feet.

*\*Thread the stabilizer feet to their lowest point so when the product is installed, the stabilizers can be threaded out to touch your pool wall. This will also prevent an outward bending of your mounting rails. The installer will need to ensure stabilizer feet are against a structurally sound wall. Global Pool Products is not responsible for damaged pool walls and/or pool liners.*



“Global Pool Products is committed to engineering and manufacturing world class products in the pool industry”





“Global Pool Products is committed to engineering and manufacturing world class products in the pool industry”

## Swim Up High-Top Bar Installation Instructions

### Retrofitting to Existing Pool Deck

1. Measure 17 ½” from pool’s edge in desired location and 20” (center to center) apart from each other and mark on your pool deck (this will be your center point for drilling your anchor holes).
2. Core drill a hole with a minimum diameter of 4” and depth where the anchor sits slightly below the pool deck.
3. Clean any debris from the hole before setting your anchor cup so it sits level. A shop-vac may be needed to clear any hard to reach debris.
4. Place anchor cup in core drilled hole with the wedge bolt away from the water.
5. Check to ensure the drain hole is clear and nothing is blocking it to prevent water pooling in cup or the chance of corrosion to set in.
6. Bond your anchor to existing rebar. ***See your local electrical codes before bonding.***
7. Use minimum 3,000 psi Quickrete, epoxy, or compression cement for solidifying the placement of your anchor cups. See the manufacturer’s instruction for mixing and cure time (not included with Global Pool Product products).
8. Install your High-Top Table into anchors.
9. Adjust the two \*stabilizer feet into the outer two seat tubes.

*\*Thread the stabilizer feet to their lowest point so when the product is installed, the stabilizers can be threaded out to touch your pool wall. This will also prevent an outward bending of your mounting rails. The installer will need to ensure stabilizer feet are against a structurally sound wall. Global Pool Products is not responsible for damaged pool walls and/or pool liners.*



"Global Pool Products is committed to engineering and manufacturing world class products in the pool industry"

## **Swim Up High-Top Bar Installation Instructions**

### **Utilizing Existing Ladder Anchors**

1. Remove existing ladder and ensure the center to center distance is 20" apart.
2. Install your High-Top Table into anchors.

*\*Please ensure you are following local or state entry/exit requirements if you are utilizing an existing anchor.*

### **New Construction**

1. Assemble anchors to the new construction trough with a 20" distance between the anchors' centers. Ensure wedge bolts of both anchors are on the same side.
2. Place anchor assembly 17 ½" away from pool's edge with wedge bolts facing away from the water's edge.
3. Secure anchor tray with attached anchors with stakes to keep anchors from shifting while pouring pool deck.
4. Install your High-Top Table into anchors.





“Global Pool Products is committed to engineering and manufacturing world class products in the pool industry”

## Global Pool Products Warranty

All Global Pool Products swim up bars have a 3 Year **Limited Warranty** on all components (not including the fasteners, balls, or nets) to the original retail end user. Only products manufactured by Global Pool Products, when properly installed in accordance to the assembly and installation instructions, and when the equipment is properly *used and maintained, to be free from material defects and workmanship. All fasteners carry a 90 day warranty from material defects and workmanship from the date of purchase. Global Pool Products is not liable for any damages to the pool liner or wall from use of these products.*

*This warranty does not cover damages to **ANY** of our products due to: accident, abuse, negligence, misuse, damage by improper use of chemicals, fading, ice damage, fire, rust to fasteners, exceeding the weight capacity for model purchased, failure to install or to assemble the product in accordance with the installation and assembly instructions, normal wear and tear from day to day use, or not being maintained properly.*

THE WARRANTIES ARE IN LIEU OF ALL OTHER WARRANTIES, EXPRESSED OR IMPLIED, WHICH ARE HEREBY DISCLAIMED AND EXCLUDED, INCLUDING WITHOUT LIMITATION ANY WARRANTY OF MERCHANTABILITY OR FITNESS FOR A PARTICULAR PURPOSE OR USE.

IN NO EVENT SHALL GLOBAL POOL PRODUCTS BE LIABLE FOR ANY INCIDENTAL, CONSEQUENTIAL, INDIRECT, SPECIAL EXEMPLARY OR PUNITIVE DAMAGES OR LOST PROFITS FROM ANY BREACH OF THIS LIMITED WARRANTY. THE SOLE AND EXCLUSIVE REMEDY OF THIS WARRANTY IN REGARDS TO GLOBAL POOL PRODUCTS PRODUCT SHALL BE LIMITED TO REPLACEMENT OR REPAIR AT A GLOBAL POOL PRODUCTS FACILITY OR A DULY APPOINTED DISTRIBUTOR'S LOCATION OR AT A GLOBAL POOL PRODUCTS DESIGNATED LOCATION. IN NO EVENT SHALL GLOBAL POOL PRODUCTS LIABILITY EXCEED THE ENTIRE AMOUNT PAID TO GLOBAL POOL PRODUCTS BY THE ORIGINAL PURCHASER IN REGARDS TO THE DEFECTIVE OR FAILED PRODUCT.